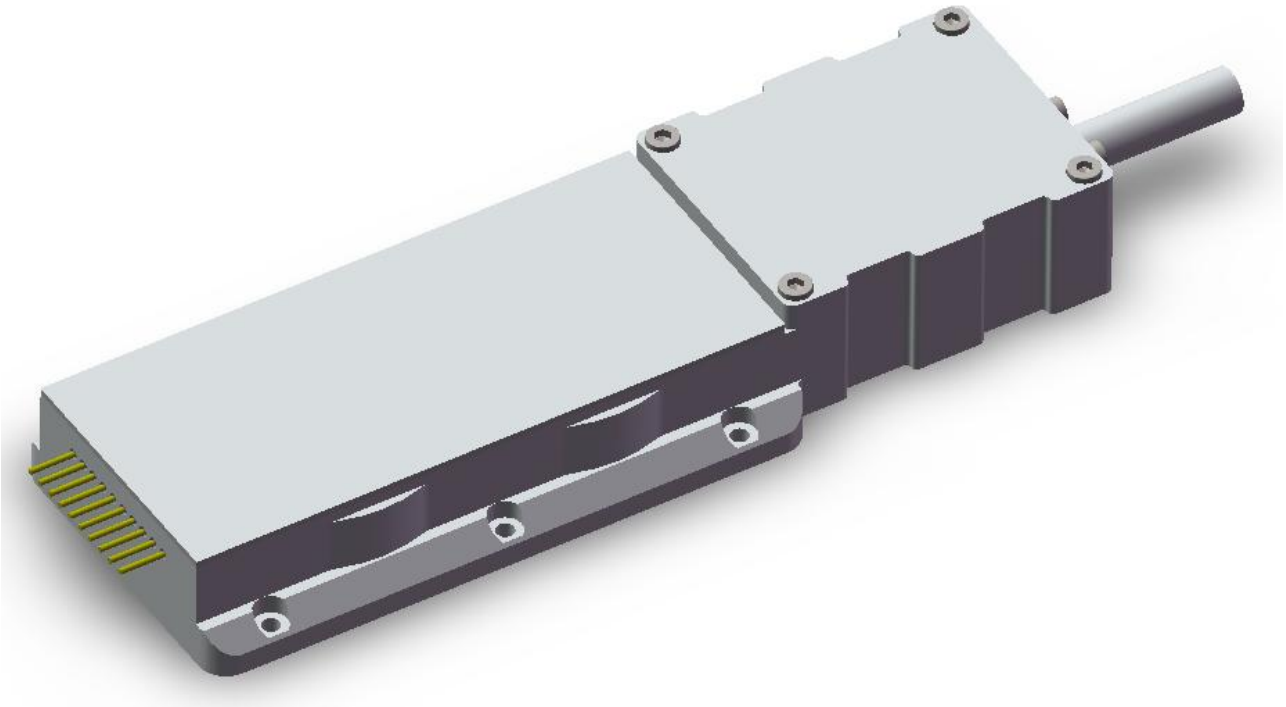


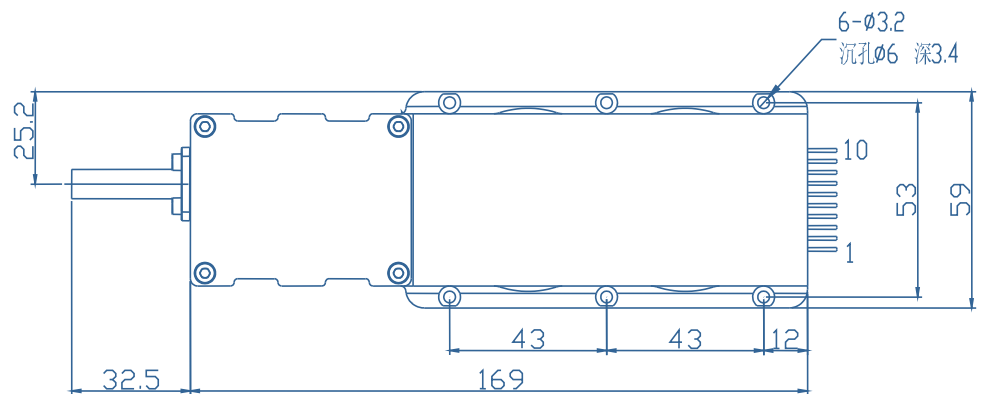
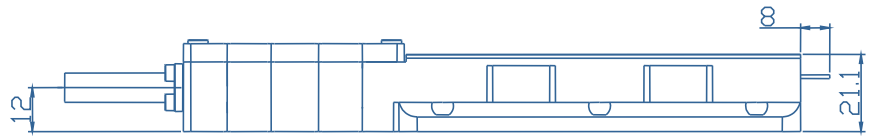
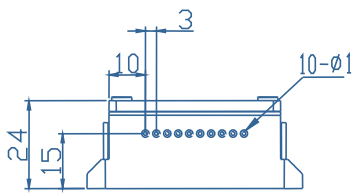
B-Series High Power Laser Diode Module



- Features**
- ◆ High output power of 50 W
 - ◆ 100μm/0.22NA multimode optical fiber
 - ◆ Center wavelength 450±10nm

- Applications**
- ◆ Industrial Processing
 - ◆ Lighting

Package Dimensions (mm)



Pin-out Assignment	
Pin	Function
1	LD1 (+)
2	LD1 (-)
3	Aiming Beam (+5V)*
4	Aiming Beam (0V)
5	Thermistor
6	Thermistor
7	PD(N)
8	PD(P)
9	LD2 (+)
10	LD2 (-)

*Optional built-in constant power circuit, 5V power supply needed.

Typical Device Performance (20°C)

	Min	Typical	Max	Unit
Optical				
CW Output Power	-	50	-	W
Center Wavelength	-	450±10	-	nm
Spectral Width (90% of Power)	-	4.0	-	nm
Electrical*				
Threshold Current	-	0.3	-	A
Operating Current	-	3.0	-	A
Operating Voltage (Single Channel)	-	33	-	V
Slope Efficiency (Single Channel)	-	9.2	-	W / A
Power Conversion Efficiency	-	25	-	%
Aiming laser **				
CW Output Power	-	2	-	mW
Center Wavelength	-	650±10	-	nm
Operating Current	-	<30	-	mA
Operating Voltage	-	5	-	V
Fiber***				
Fiber Core Diameter	-	100	-	μm
Fiber Cladding Diameter	-	500	-	μm
Fiber Buffer Diameter	-	1300	-	μm
Numerical Aperture	-	0.22	-	-
Fiber Length	-	1~5	-	m
Fiber Connector	-	D80/SMA905	-	-
Cooling parameters				
Refrigeration Demand	-	-	300	W
Refrigeration Method	Water Cooling/Air Cooling			

*2 groups of LD assembled inside the module, and the operating voltage and slope efficiency of each groups are basically the same.

**Aiming laser: Optional built-in constant power circuit, 5V power supply needed. The operating voltage of 650nm red light is 5V and 515nm green light is 9V.

*** Customized fiber and connector available.

Absolute Ratings

	Min	Max	Unit
Operating Temperature	15	35	°C
Operating Relative Humidity	-	75	%
Storage Temperature	-20	80	°C
Storage Relative Humidity	-	90	%

This instruction is for reference only. Han's TCS improves its products continually, therefore may change specifications without notice to customers, for details, please contact with Han's TCS sales.

@2023 Han's TianCheng Semiconductor Co., Ltd. All rights reserved.